



5G Wi-Fi Microscope Camera

5G Wi-Fi (IEEE802.11ac) Microscope Camera with C mount or dovetail mount. Suitable for all types of microscope.



Dovetail groove



C mount & built-in battery



C-mount



Features & Benefits

- Unique integrated wireless and USB output for mobile operation
- Reliable operation with iPhones, iPads, Android devices and PC
- Connects up to 10 devices simultaneously
- Free Micro WiFi Lab APP (for Wi-Fi connection)
- Imaging & measuring software Pixit Pro included (for USB connection to PC)
- Full 1080P record, up to 30fps at 2592x1944 resolution
- Built-in battery for portable outdoor operation, 2 hours endurance
- Mobile devices access the system by scanning exclusive QR code

Specifications

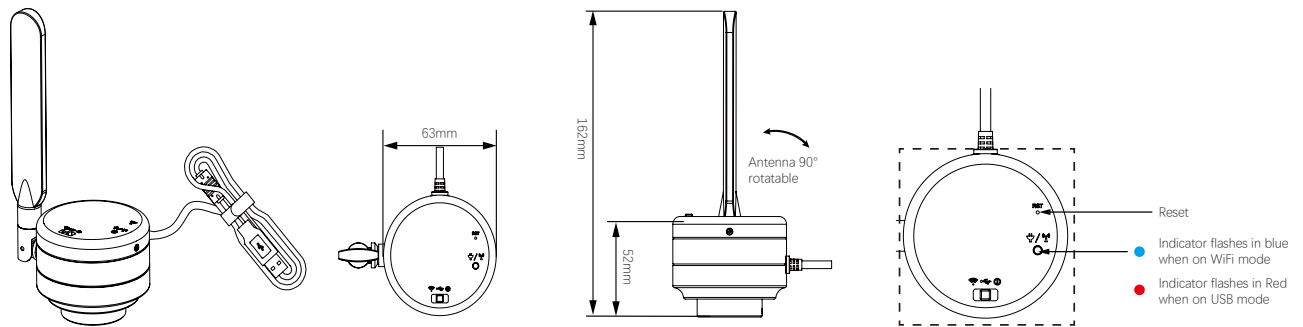
Camera model	MC500W-G1	MC500W-G2	MC4KW-G1	MC4KW-G2
Resolution	5.0 MP (2592x1944)		8.0 MP (3840x2160)	
Sensor type	OnSemi AR0521		SONY IMX334 CMOS	
Sensor size	1/2.5"		1/1.8"	
Pixel size	2.2µm x 2.2µm		2.0µm x 2.0µm	
Dynamic range	74.3dB linear, >96dB interlaced		72dB (Non-HDR mode)	
SNR	40dB		≥ 56dB	
Frame rate	USB mode: 30fps @ 2592x1944 WiFi mode: 30fps @ 3840x2160		USB mode: 30fps @ 3840x2160 WiFi mode: 30fps @ 3840x2160	
Built-in battery	/	Available	/	Available
Spectral response	380~650nm			
Shutter type	Electronic rolling shutter			
Exposure	3.9ms~320ms, Automatic & Manual			
White balance	Real-time Automatic, Manual			
Record format	Image capture format: JPG, BMP, PNG, TIFF; Resolution: 3840x2160, 2592x1944, 1920x1080, 1024x768, 640x480 Video record format: MJPG format AVI file; Resolution: 1920x1080, 1024x768, 640x480			
Power consumption	Wired: USB 2.0 DC 5.0V 500mA; Wireless: USB 2.0 DC 5.0V 1500mA			
Wi-Fi protocol	5G WiFi IEEE 802.11ac			
Working frequency	5.180~5.825GHz			

* For dovetail-groove mount type, the models of camera are MC500W-O and MC4KW-O for Olympus microscope; and MC500W-N and MC4KW-N for Nikon microscope.

* MC500W-G2 and MC4KW-G2 are models with built-in battery.

Dimensions

MC500W-G1 & MC4K



MC4K-G2

